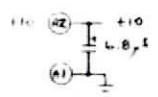
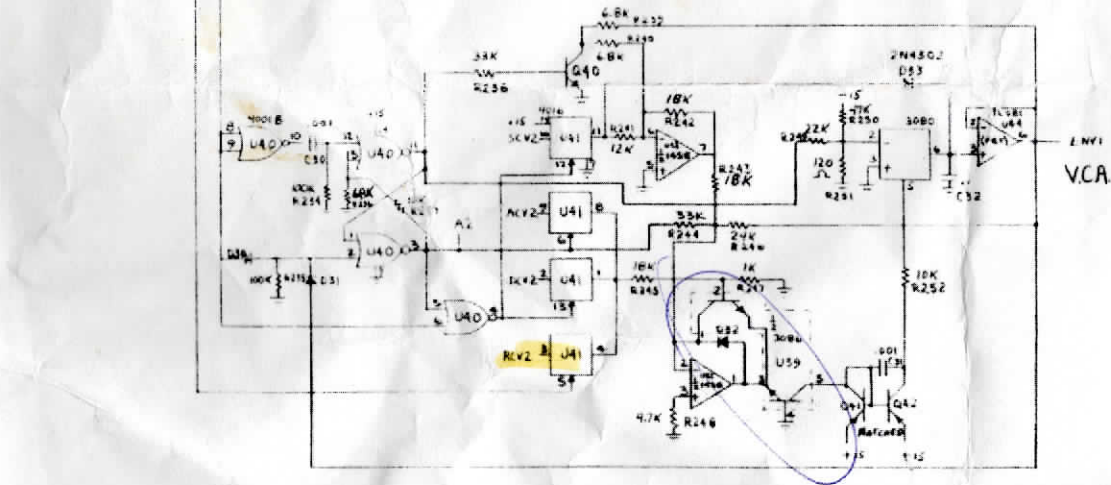
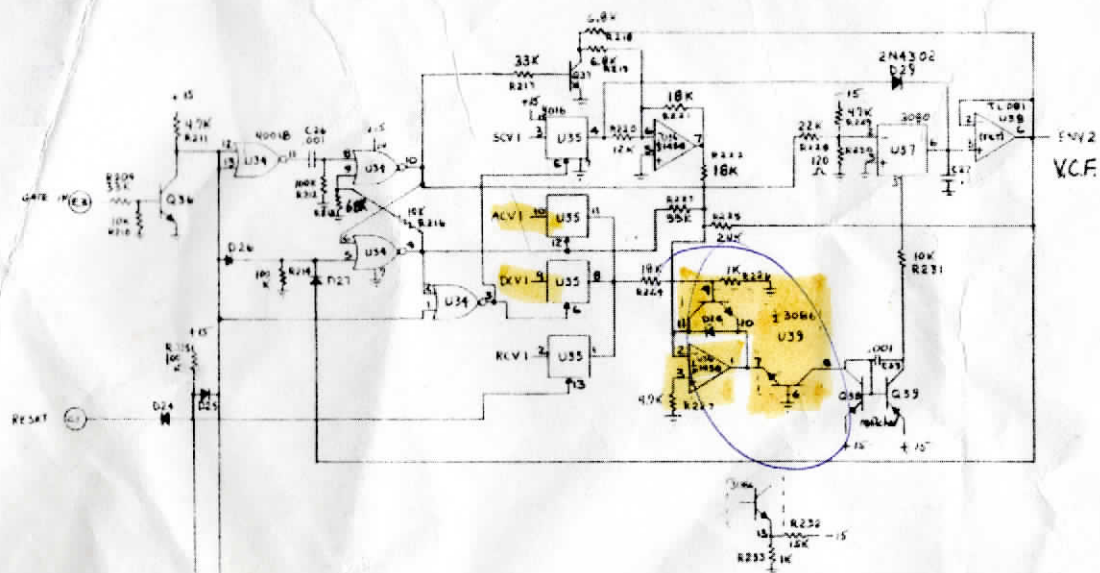


ALL POTS SHOWN WITH CLOCK-WISE SIDE TOWARD TOP UNLESS MARKED OTHERWISE. SOK UN



OBERHEIM ELECTRONICS, INC  
 SCHEMATIC -  
 OB + POT BOARD  
 REVISED 10-31-77  
 1339



LM3086  
LM3045  
LM3046

Q3080

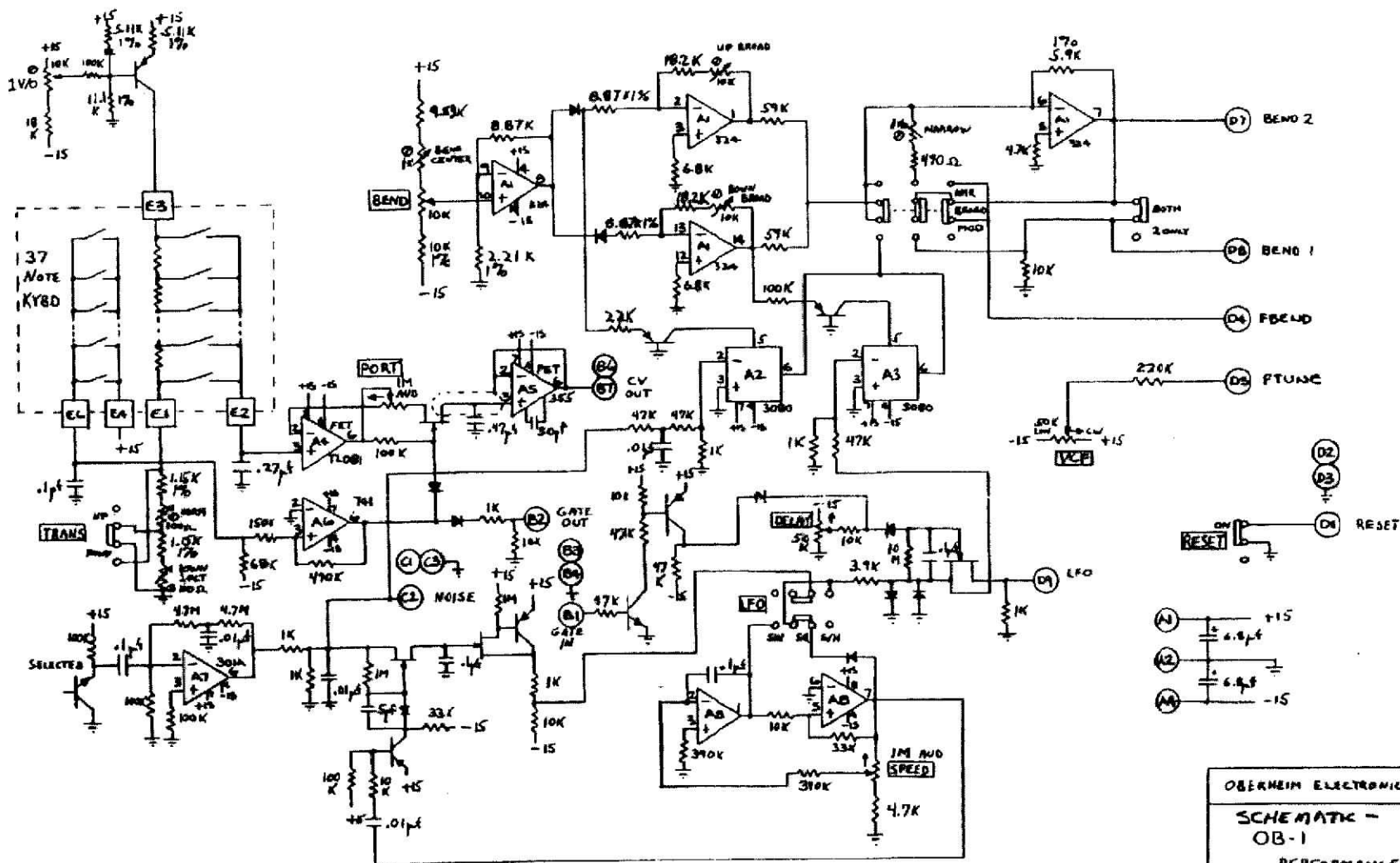
1458

- U54 - U44
- Q56 - Q42
- D24 - D33
- C25 - C34 C36 C55 C59 NOT USED
- R209 - R252

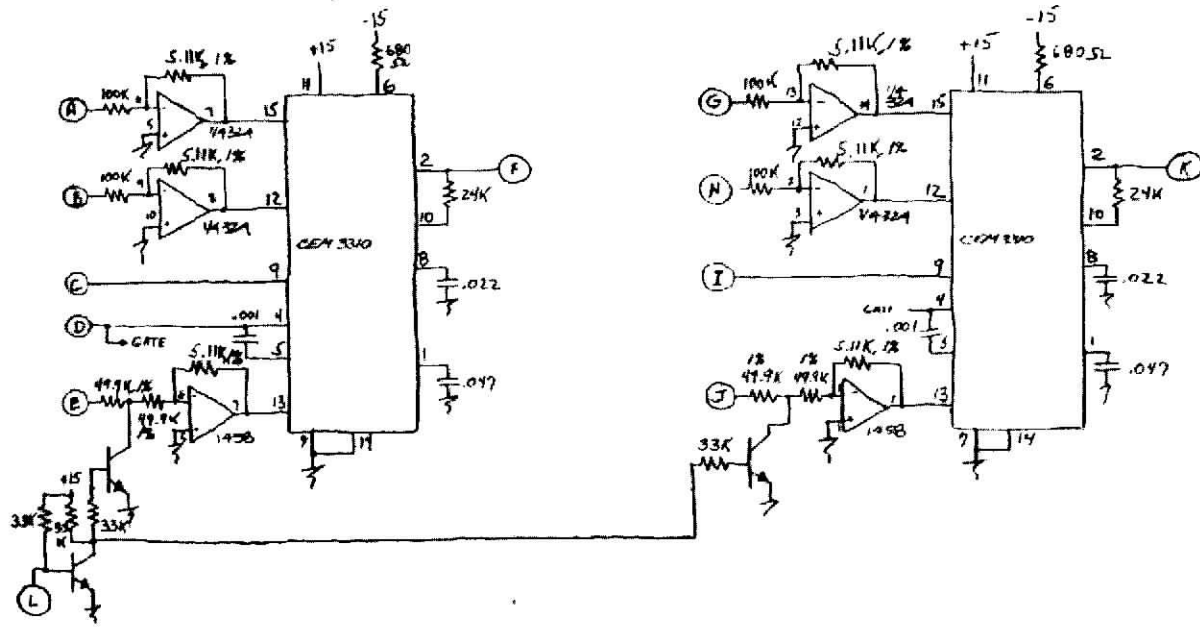
NOTES:  
 (UNLESS SPECIFIED OTHERWISE)  
 1 ALL RESISTORS ARE 1%, 5%  
 2 ALL CAPACITORS IN nF  
 3 ALL NPN TRANSISTORS - 2N1172  
 4 ALL PNP TRANSISTORS - 2N2905  
 5 ALL DIODES IN4148  
 6 ALL FETS - 2N4302  
 7 4001 MUST BE BUFFERED

B

OBERHEIM ELECTRONICS, INC  
 SCHEMATIC -  
 OB-1  
 SYNTHESIZER BOARD  
 (VCF'S)  
 SHEET 2 OF 3  
 1-20-78  
 Revised 4-2-79  
 1342



OBERHEIM ELECTRONICS, INC.  
 SCHEMATIC -  
 OB-1  
 PERFORMANCE  
 BOARD  
 REVISED 12-9-78  
 1340



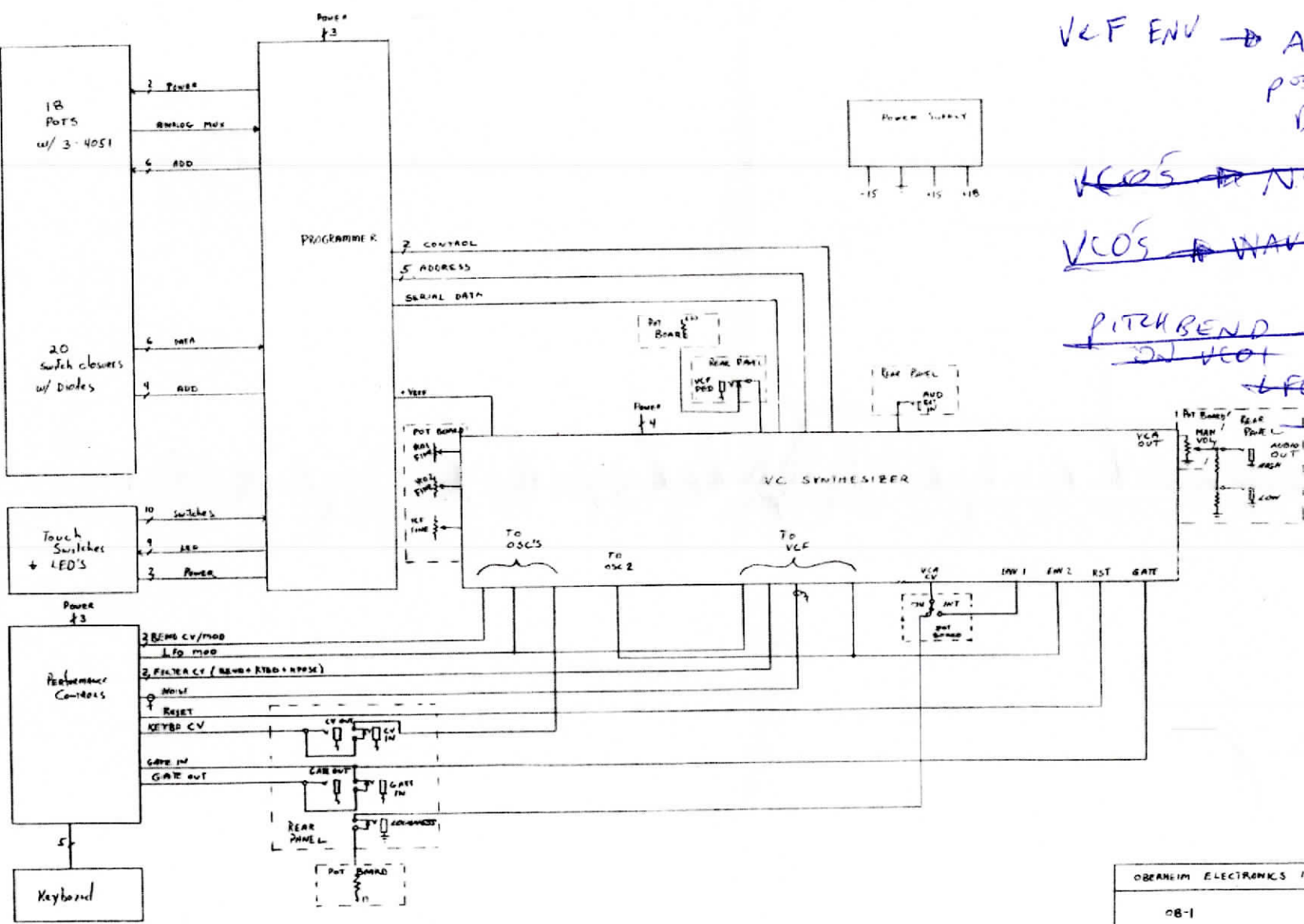
- (A) +15
- (M)  $\uparrow$
- (C) -15

NOTES  
 (UNLESS SPECIFIED OTHERWISE)  
 1 ALL RESISTORS ARE  $\pm 5\%$   
 2 ALL CAPACITORS IN  $\mu F$   
 3 ALL DIODES IN4148  
 4 ALL TRANSISTORS MPS 5178

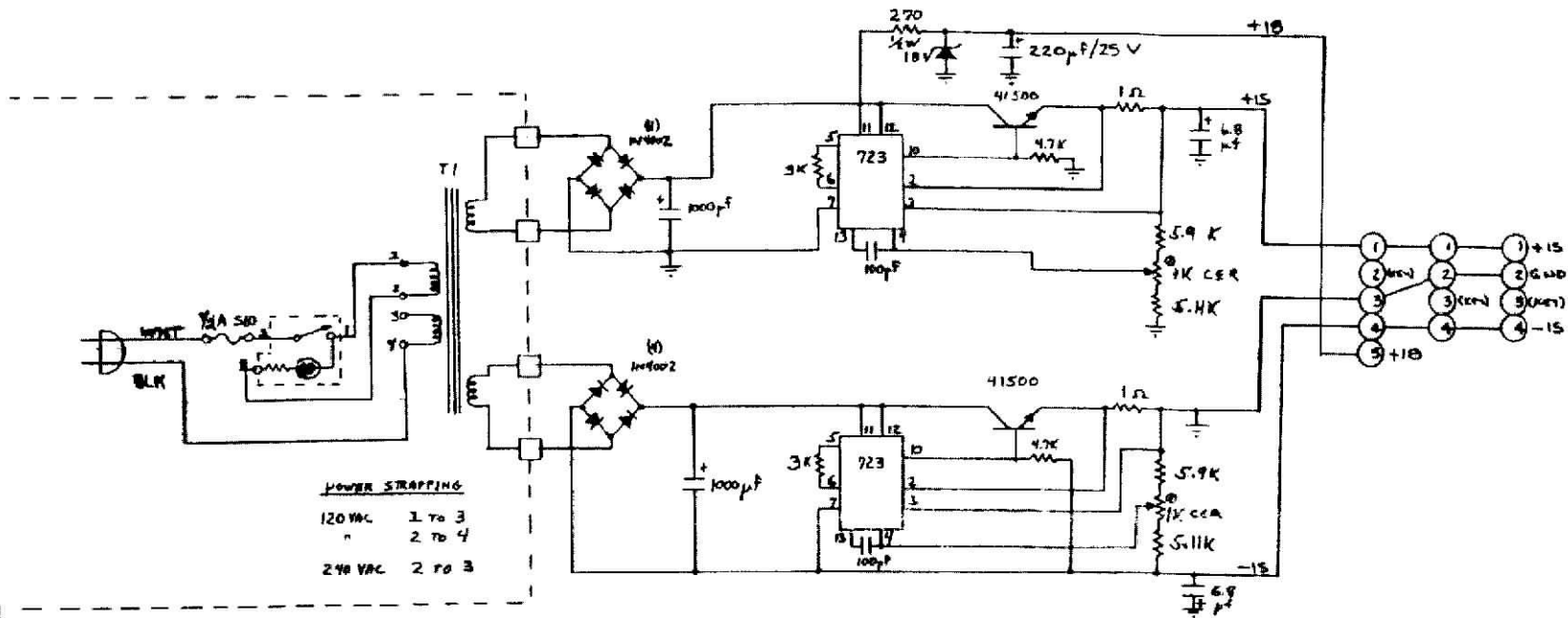
OBERHEIM ELECTRONICS  
 OB-1  
 ENVELOPE GENERATOR  
 CHIP BOARD  
 11/29/70 1387

Synth Board

~~VCO 1~~ → ~~DOESN'T TRACK PITCH~~  
 VCA ENV → ~~RELEASE DOESN'T WORK~~  
 VCF ENV → ~~ATTACK & DELAY & possibly RELEASE DON'T WORK~~  
~~VCO'S~~ → ~~NOISE!!~~  
~~VCO'S~~ → ~~WAVESHAPES DOESN'T WORK~~  
~~PITCH BEND~~ → ~~DOESN'T WORK ON VCO~~  
~~LFO ON~~ → ~~DOESN'T WORK VCO1~~



OBAMA ELECTRONICS INC.  
 OB-1  
 WIRING BLOCK  
 DIAGRAM  
 REVISED 10/7/78  
 1338



OBERHEIM ELECTRONICS, INC.

SCHEMATIC -

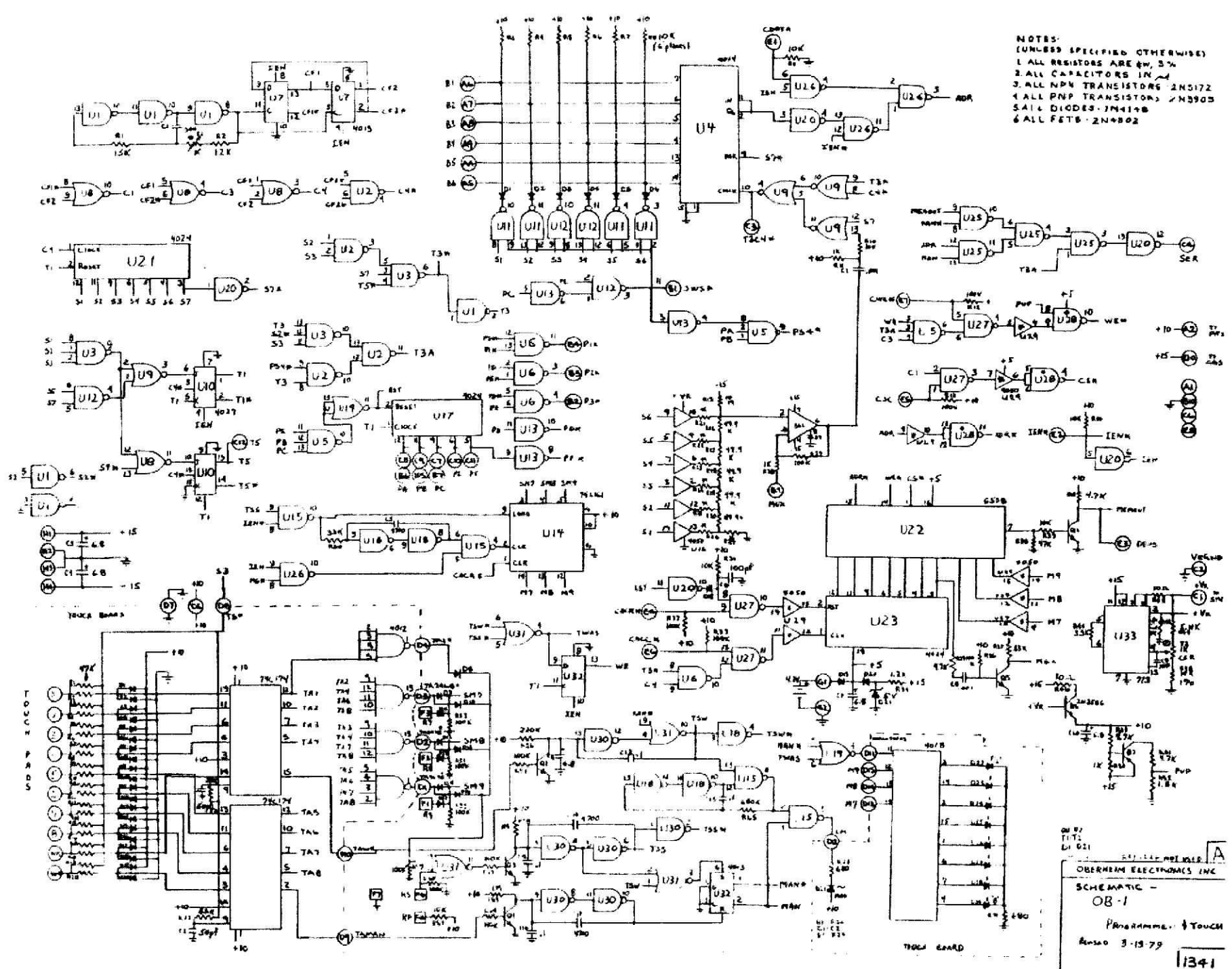
OB-1

POWER SUPPLY

SEPT 20, 1977

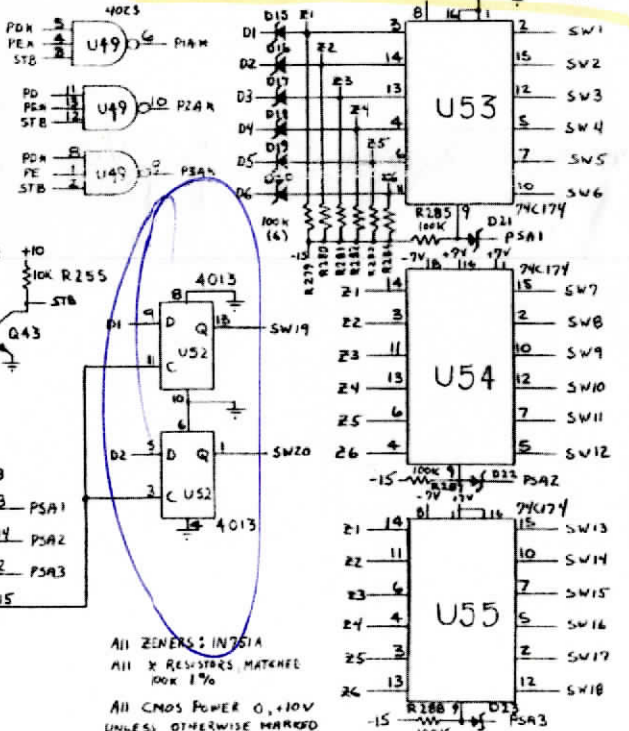
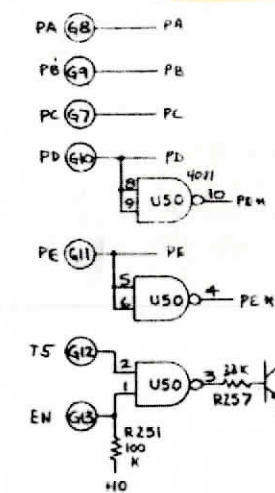
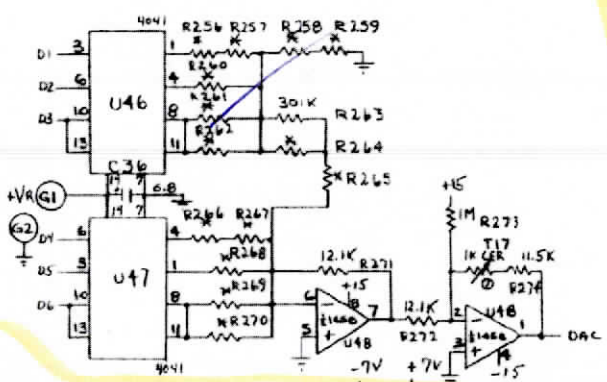
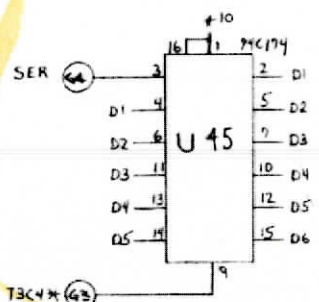
REV 3-28-78

1343

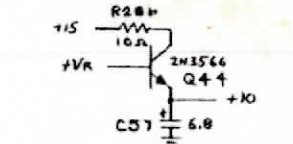
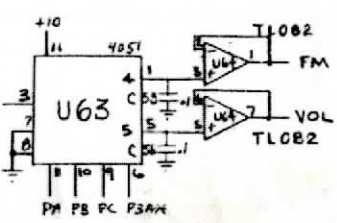
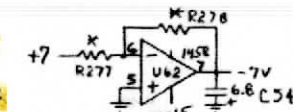
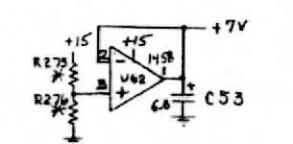
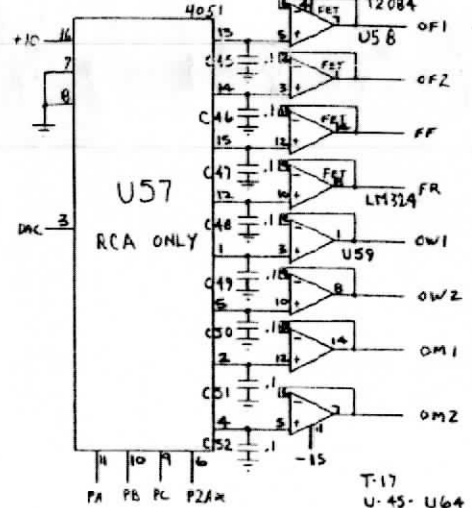
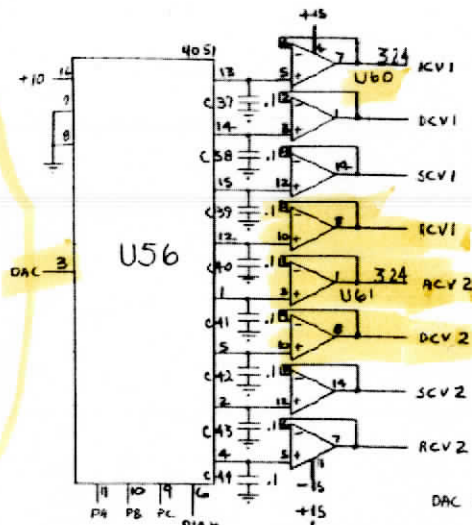


NOTES:  
 (UNLESS SPECIFIED OTHERWISE)  
 1 ALL RESISTORS ARE  $\Omega$ , 5%  
 2 ALL CAPACITORS IN  $\mu$   
 3 ALL PNP TRANSISTORS 2N5172  
 4 ALL PNP TRANSISTORS 2N5905  
 5 ALL DIODES 1N4148  
 6 ALL FETs 2N4802

OB-1  
 TOUCH BOARD  
 SCHEMATIC -  
 OB-1  
 PROGRAMMER TOUCH  
 Rev 3-15-79  
 1341



All ZENERS: IN751A  
 All X RESISTORS MATCHED  
 100K 1%  
 All CMOS POWER 0, +10V  
 UNLESS OTHERWISE MARKED



NOTES  
 (UNLESS SPECIFIED OTHERWISE)  
 1. ALL RESISTORS ARE 1/4W, 5%  
 2. ALL CAPACITORS IN  $\mu$ F  
 3. ALL NPN TRANSISTORS 2N3172  
 4. ALL PNP TRANSISTORS 2N3905  
 5. ALL DIODES IN4148  
 6. ALL FETS 2N4302

OBERHEIM ELECTRONICS, INC.  
 SCHEMATIC -  
 OB-1  
 SYNTHESIZER BOARD  
 (S/H CRTS)  
 SHEET 3 OF 3  
 11-1-77  
 REVISED 4-2-79 1342

T-17  
 U-45, U-64  
 Q-43, Q-44  
 D-15, D-23  
 C-36, C-57  
 R-253, R-288