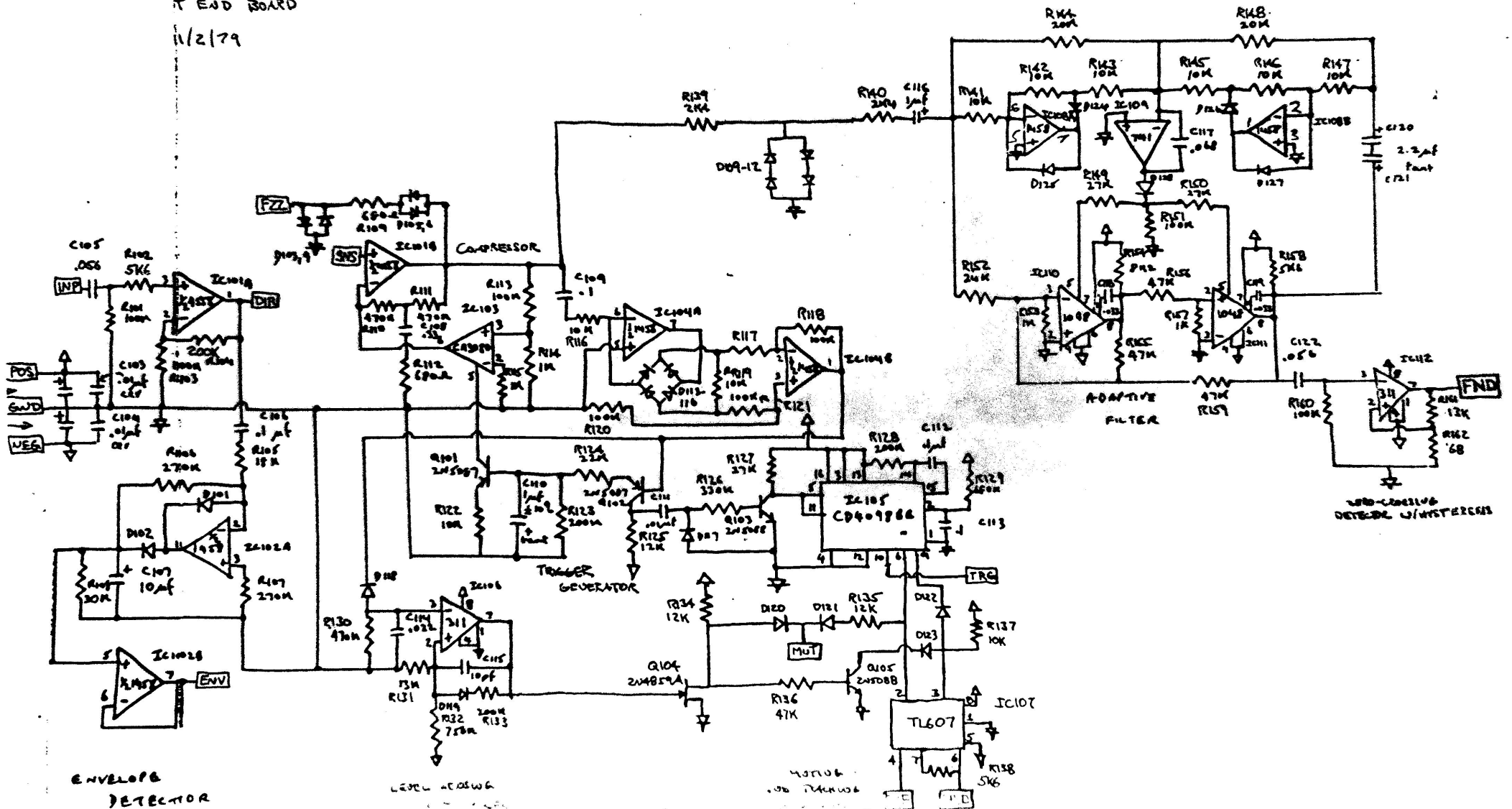
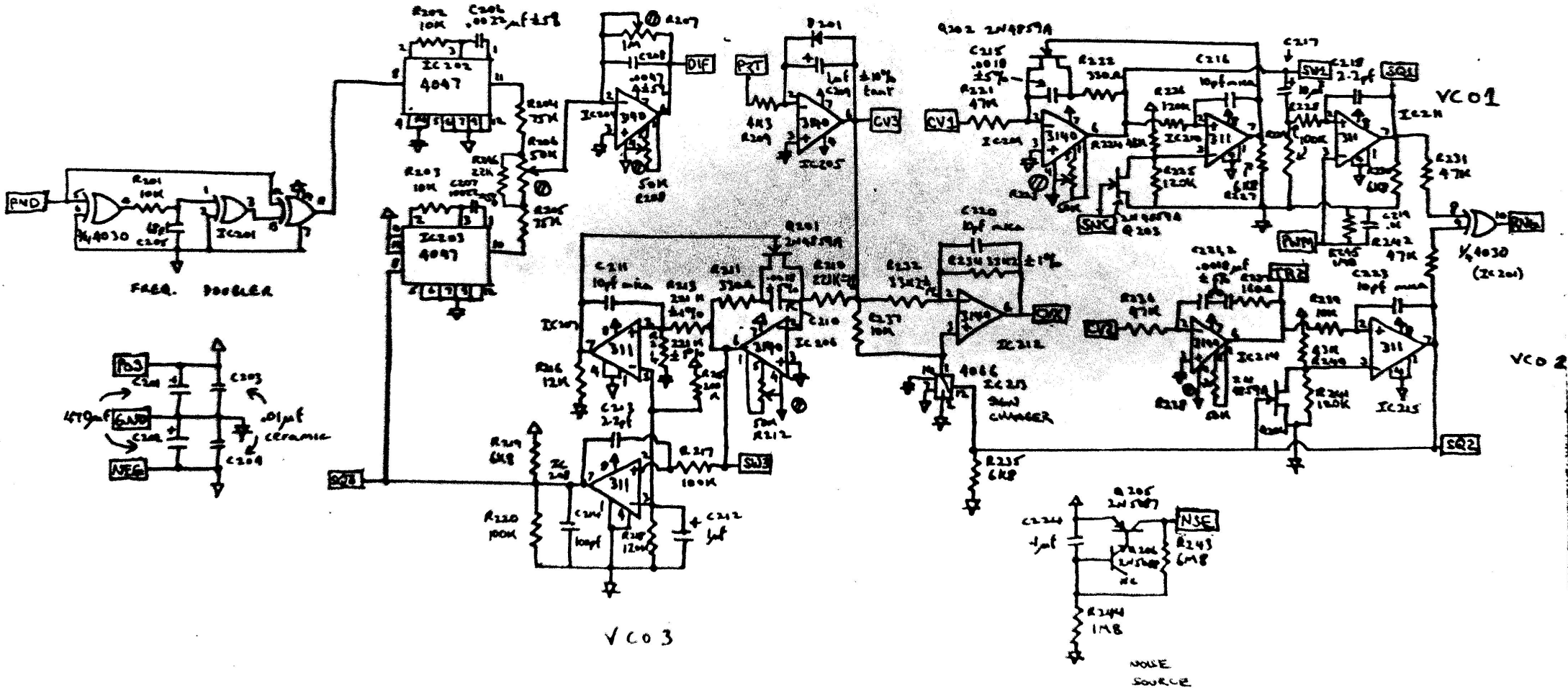


T END BOARD

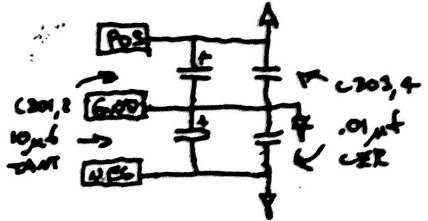
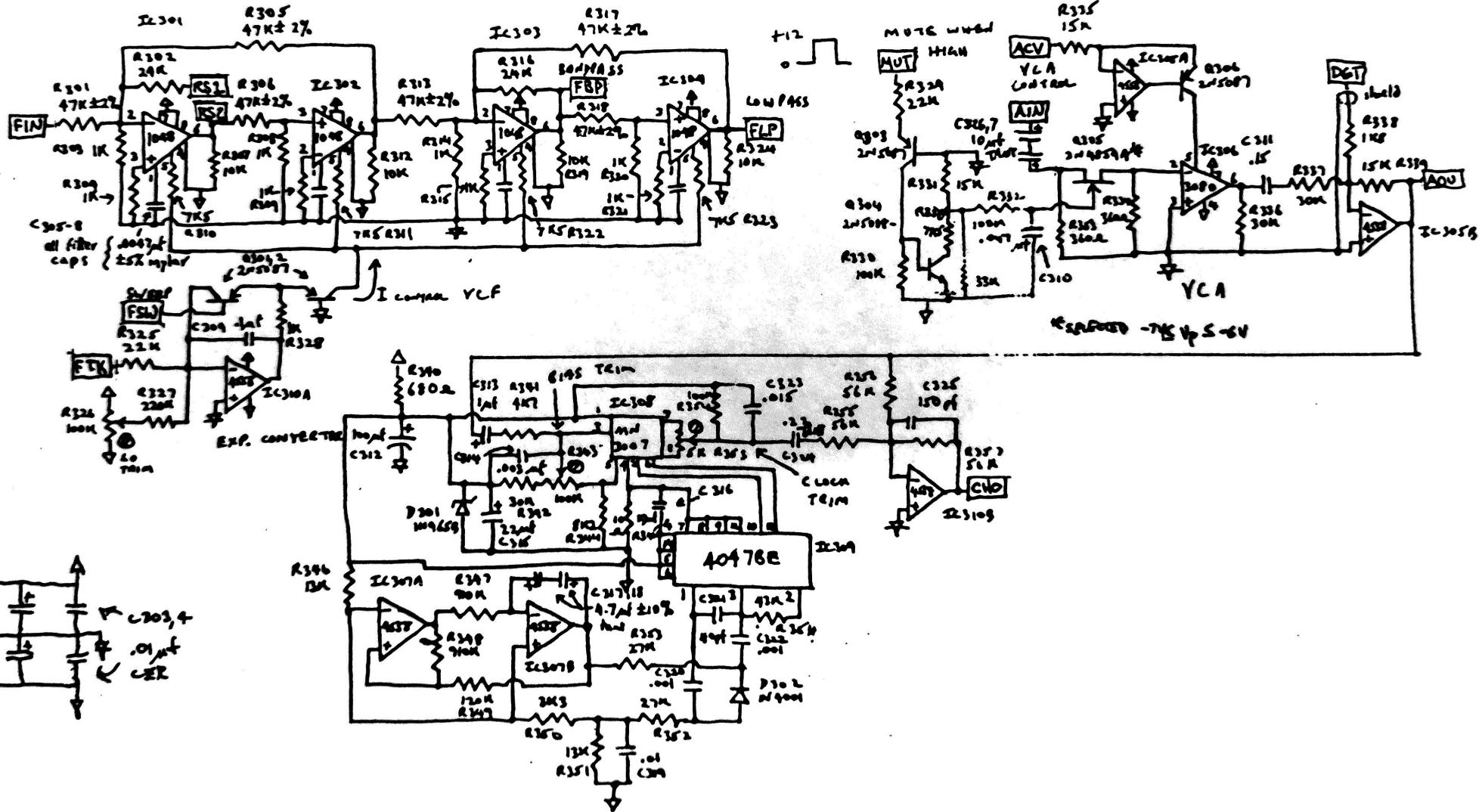
11/2/79



EH8000-2
GUITAR SYNTHESIZER
VCO BOARD
11/5/7A



EHBC000-0
 GUITAR SYNTHESIZER
 VCF, VCA AND CHORUS
 11/6/79



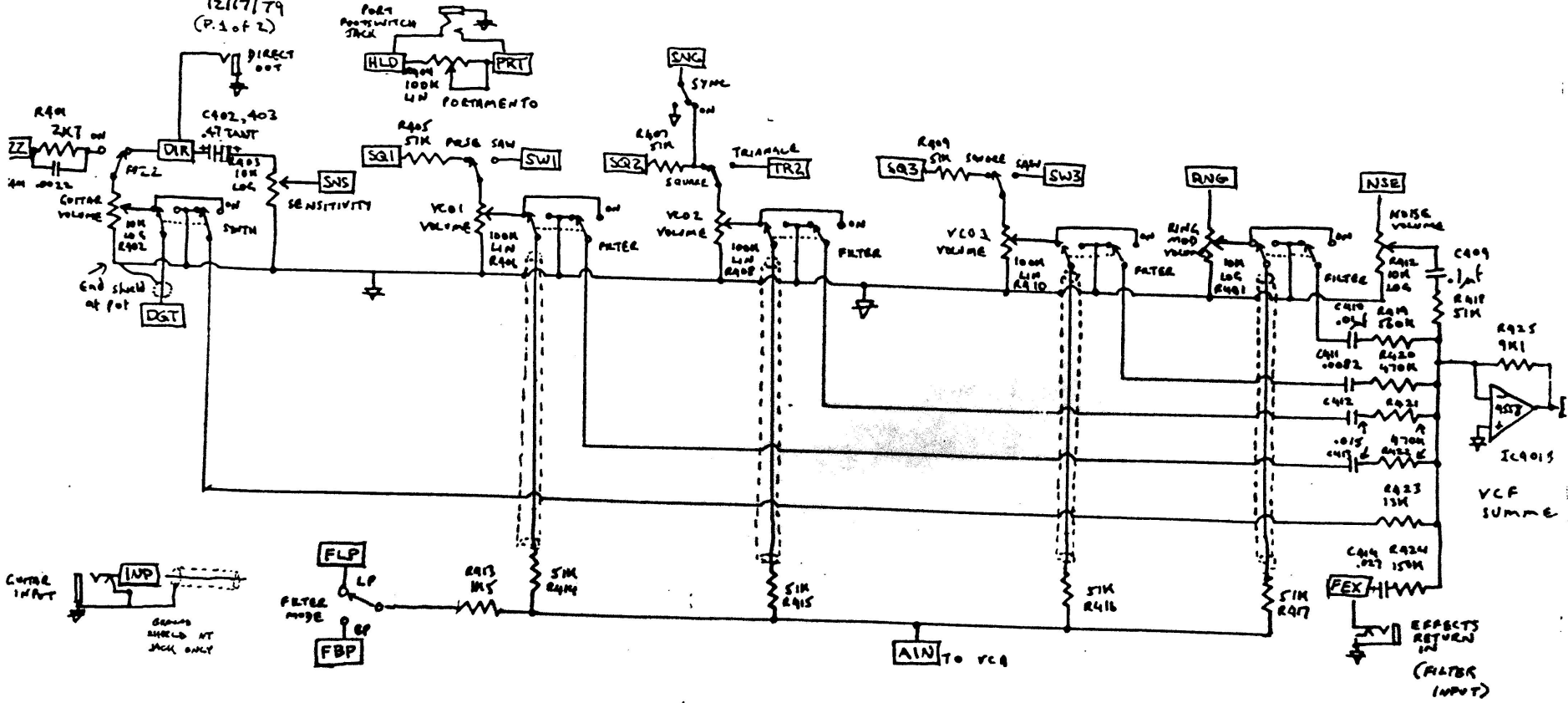
EH8000-4

GUITAR SYNTHESIZER

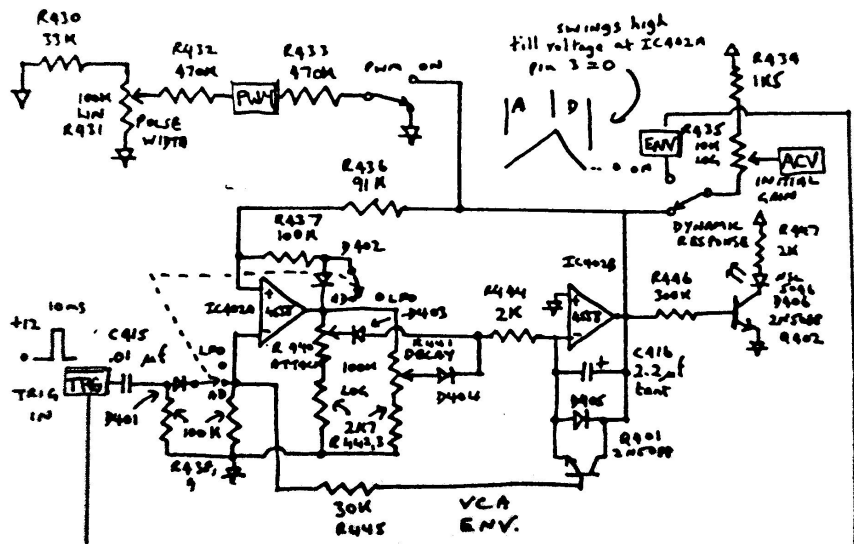
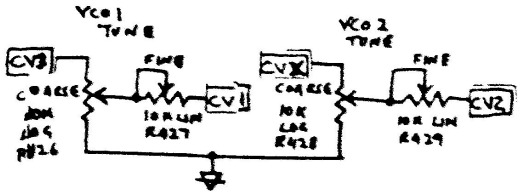
MOTHER BOARD

12/17/79

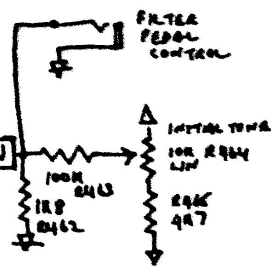
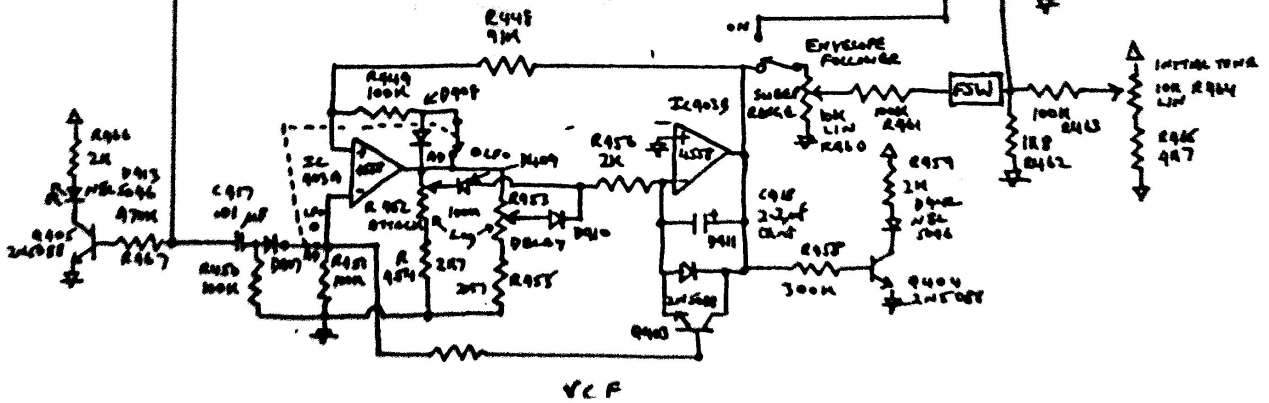
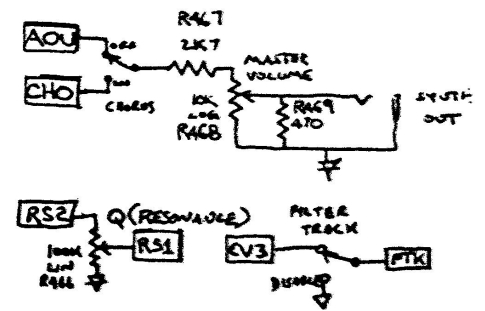
(P. 1 of 2)



MOTHER BOARD
 12/17/79
 (P. 2 of 2)



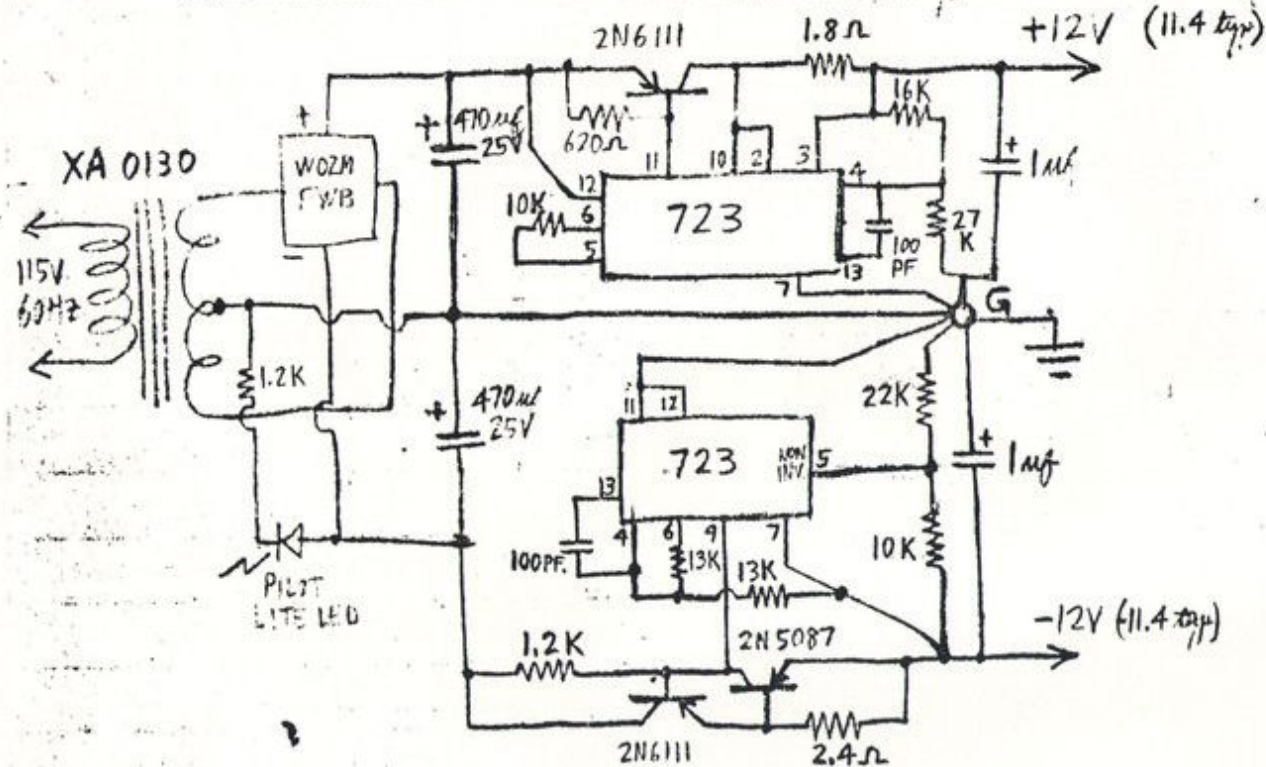
swings high
 fill voltage at IC402A
 pin 3 = 0



VCF

12/13/78

±12V Precision Regulated Supply for Guitar Synthesizer



W02 = 200V 1A

2N6111's may overheat without small heat sink - dip on finned type OK, or mount on chassis with insulators.