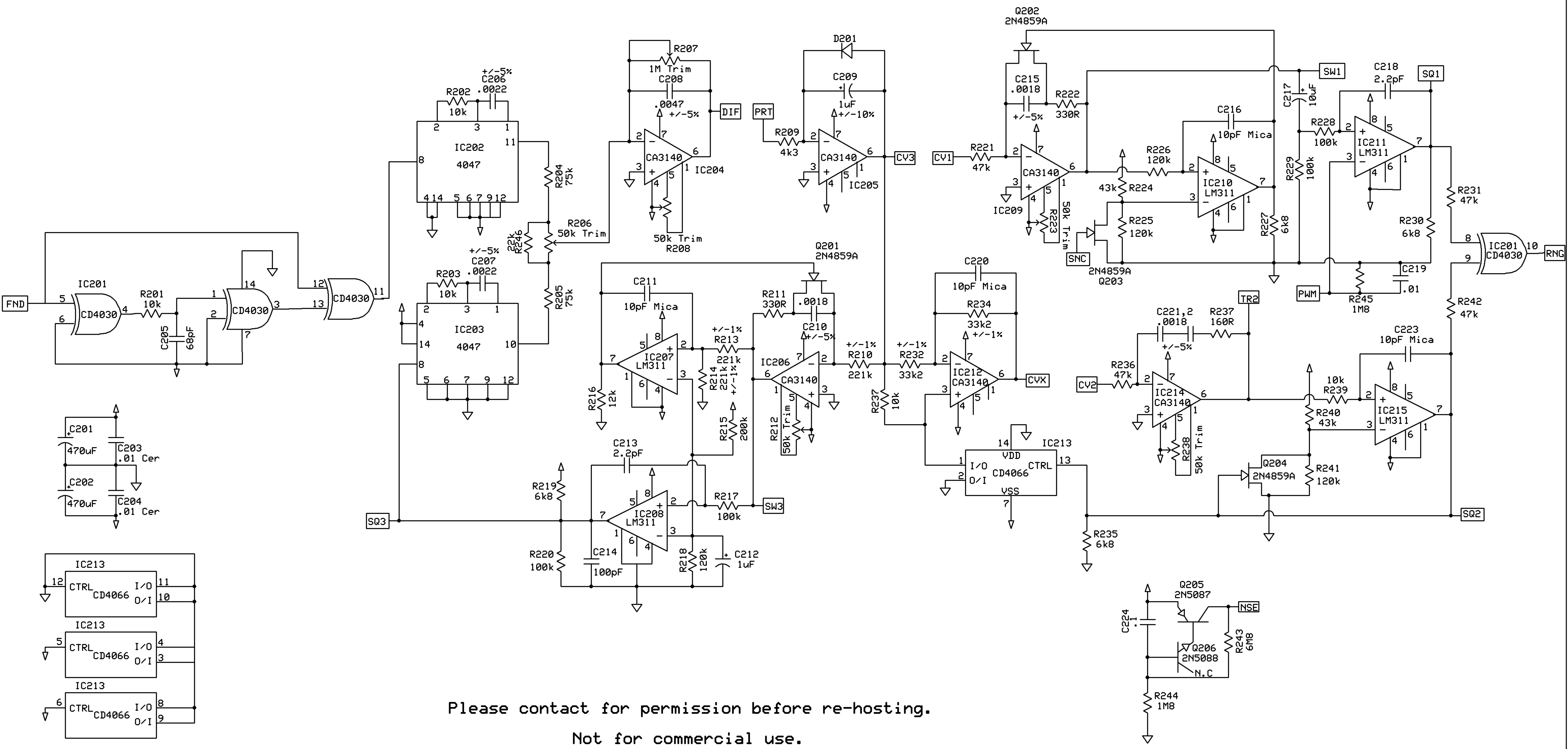


IC110 & 111 originally 2 x CA3094  
 Q1-4, R1-4 Mod Additions  
 Circled numbers indicate original CA3094 Pins

Please contact for permission before re-hosting.

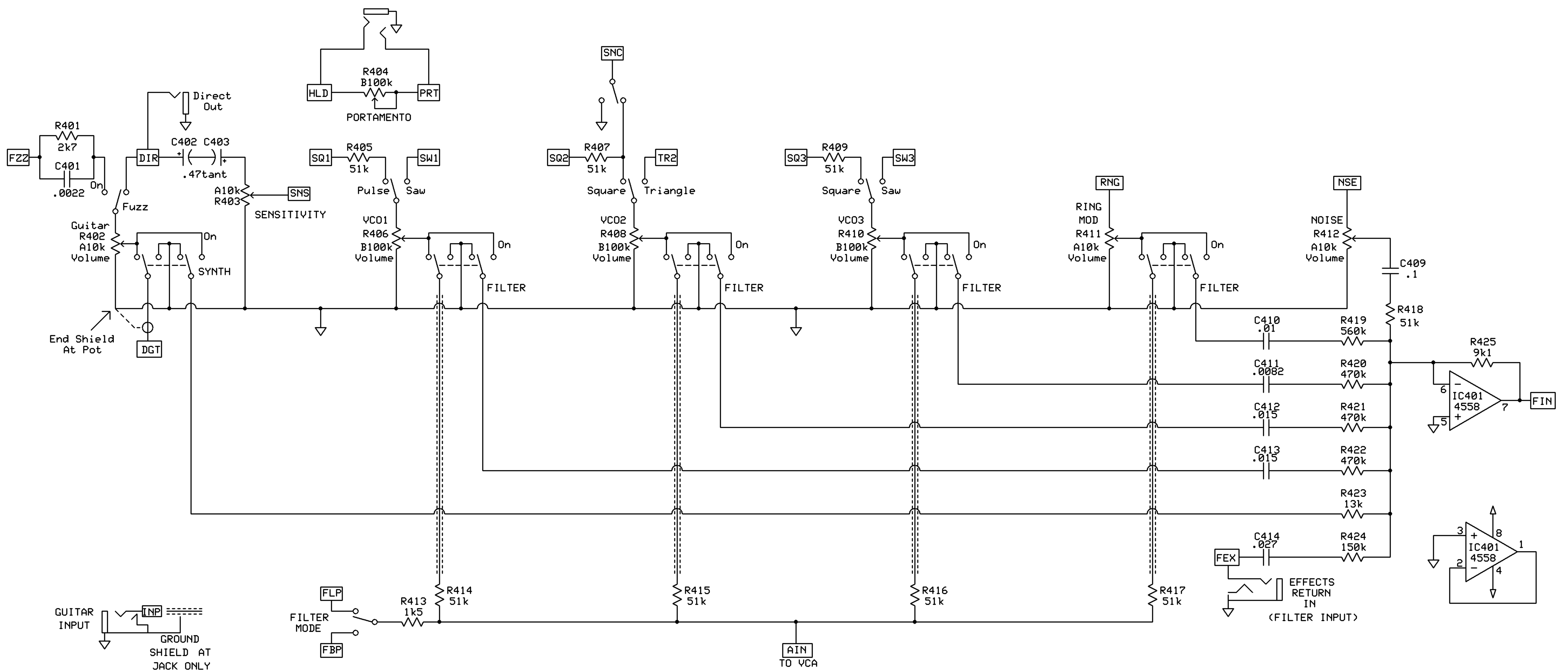
Not for commercial use.

<b>EH-8000 Guitar Synth</b>		
<b>Front End Board</b>		
Drawing & Mods	Rev 1.0	Page 1 of 5
By Scruffie	05/03/2022	

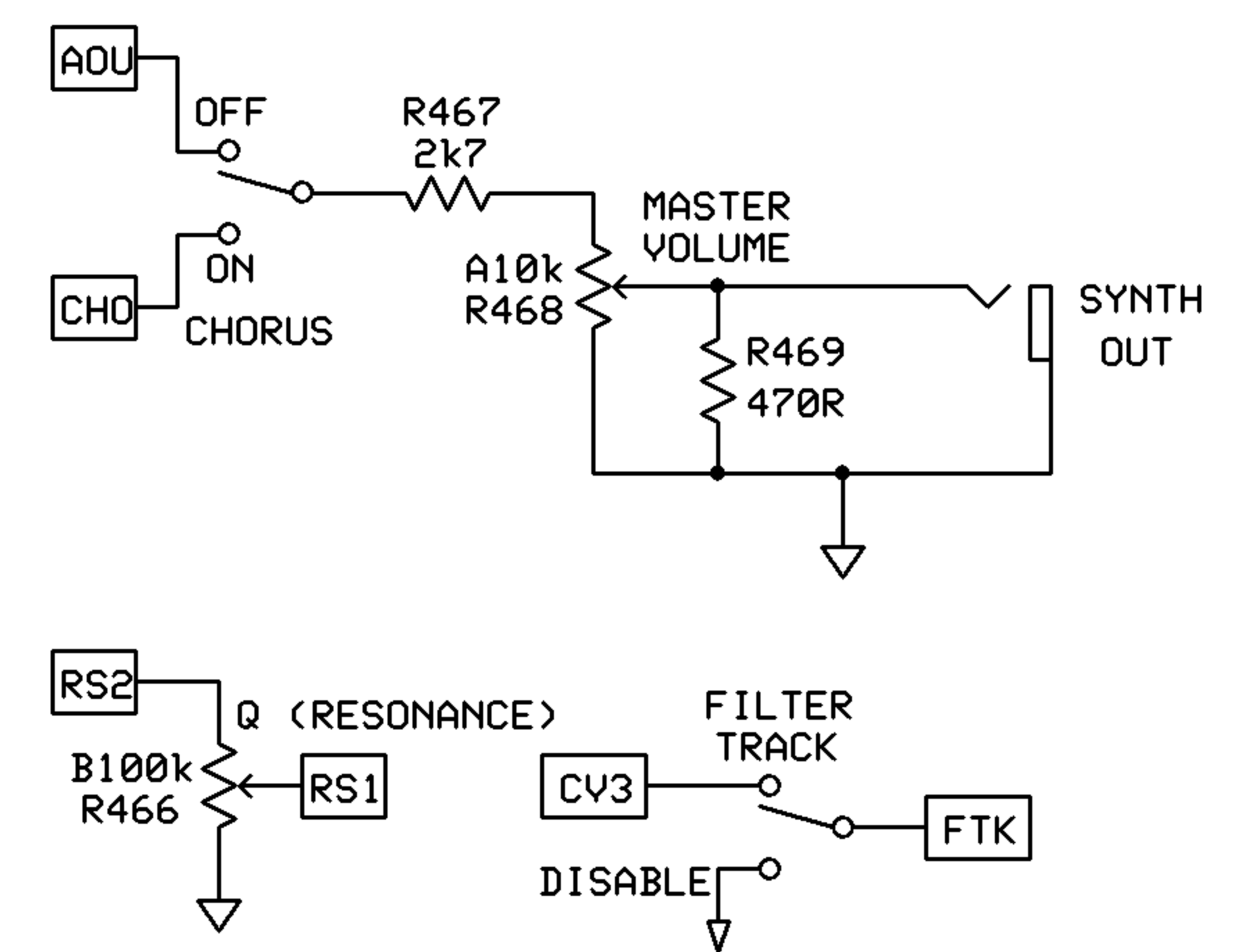
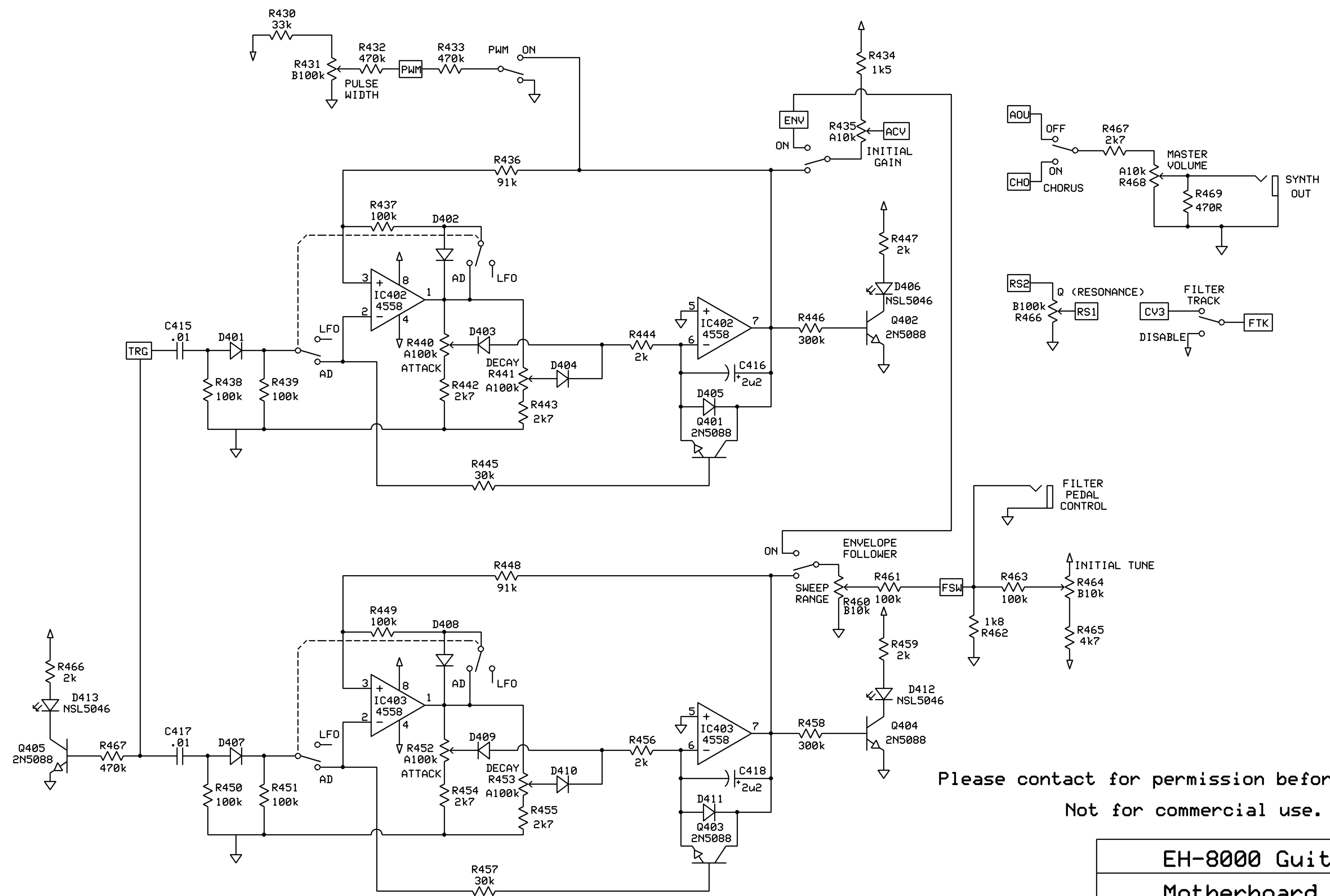
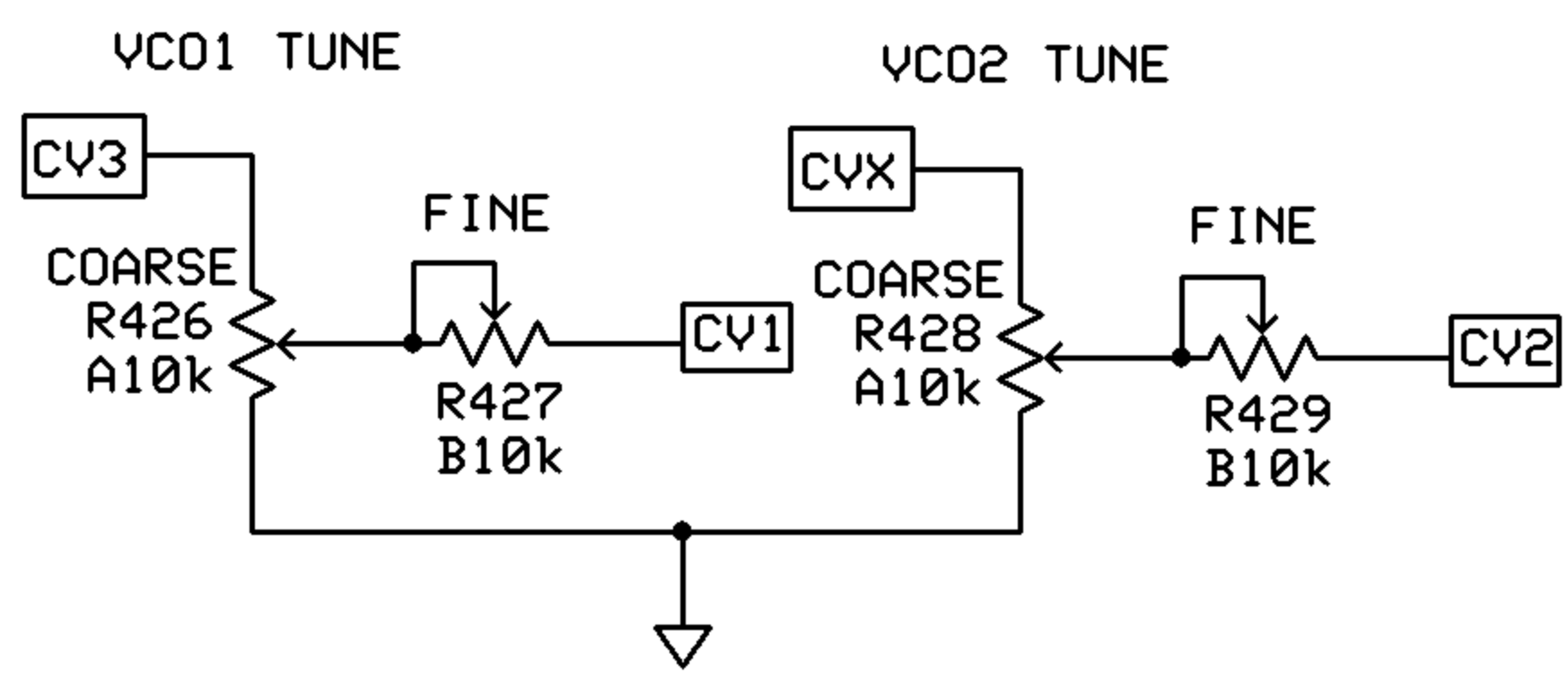


Please contact for permission before re-hosting.  
 Not for commercial use.





Please contact for permission before re-hosting.  
 Not for commercial use.



Please contact for permission before re-hosting.  
Not for commercial use.