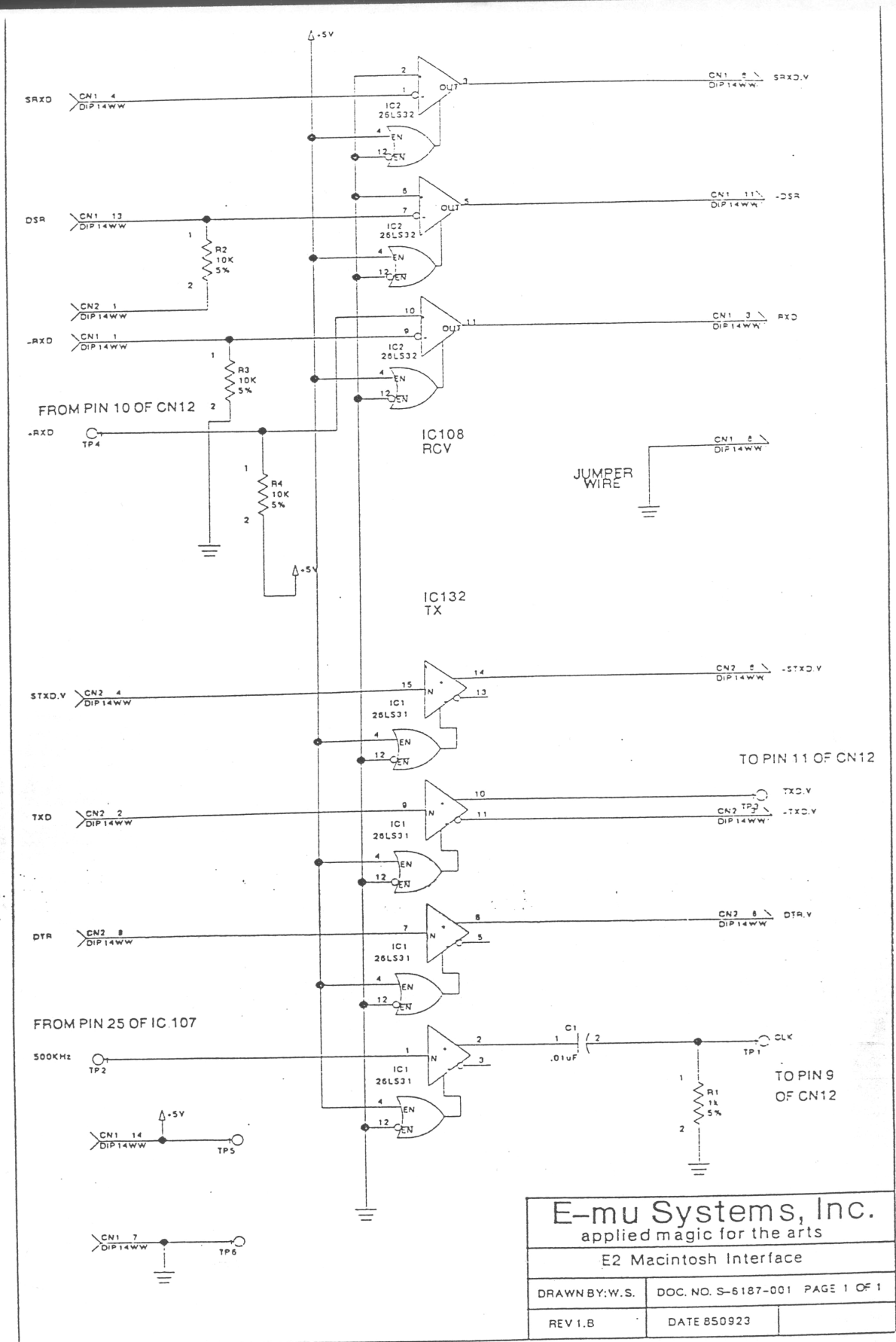


EMULATOR II SCHEMATICS

Mac Interface 1.B 23 September 1985

Change Detail from 1.A:
R1 reduced to 1k to increase
clock negative transition to 1.0V

© E-mu Systems Inc.



E-mu Systems, Inc. applied magic for the arts		
E2 Macintosh Interface		
DRAWN BY: W.S.	DOC. NO. S-6187-001 PAGE 1 OF 1	
REV 1. B	DATE 850923	